



KWB Powerfire 2

- Highly robust construction in industrial quality
- Ecological and economical thanks to high efficiency
- Very powerful, versatile in use



Pellet/wood chip heating
400 – 500 kW

Detailed overview of KWB Powerfire 2 pellet/wood chip heating system

Optimised combustion results

Thanks to flue gas recirculation, which optimises performance and emissions even with demanding fuels.

Even more efficient

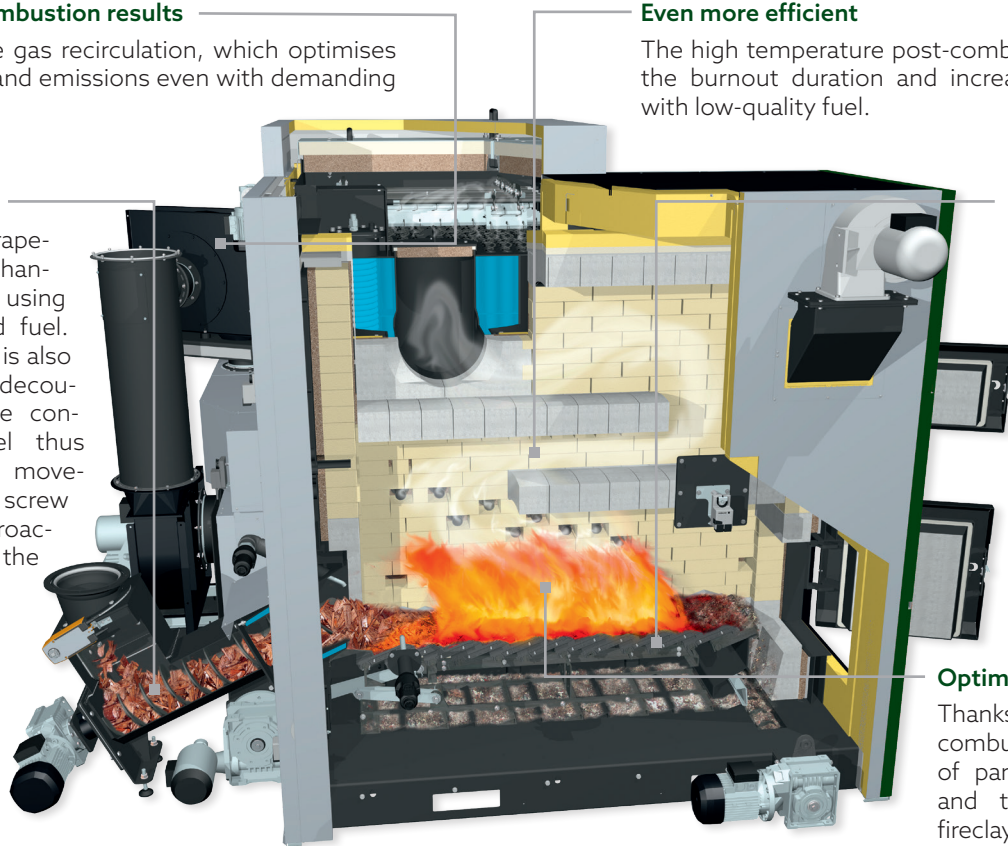
The high temperature post-combustion zone extends the burnout duration and increases efficiency even with low-quality fuel.

Full flexibility

Thanks to trapezoid stoker channel even when using different sized fuel. The drive unit is also mechanically decoupled from the conveyor channel thus preventing movements of the screw having a retroactive impact on the drive unit.

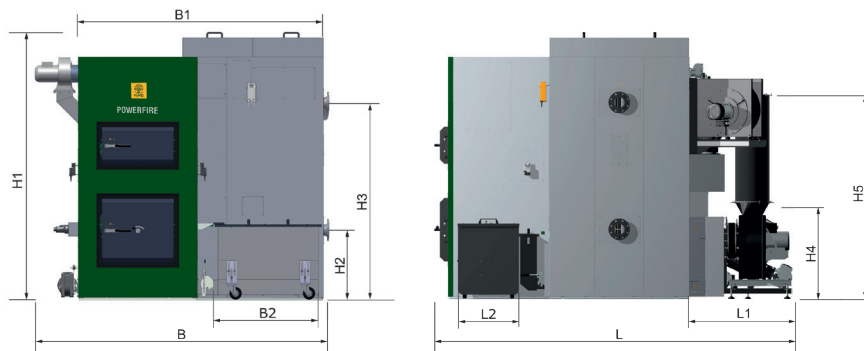
Low emissions

The moving in-feed grate ensures smooth combustion and through the innovative primary air zone separation for exceptional combustion results.



Optimum combustion

Thanks to high-temperature combustion chamber made of particularly high-quality and temperature-resistant fireclay elements.



Internet:
Learn more



Installation dimensions of the KWB Powerfire 2		400 - 500
H1	Height of boiler incl. insulation	2660
H2	Height of return flow connection	710
H3	Height of forward flow connection	2000
H4	Height of stoker incl. burnback protector	930
H5	Height of exhaust pipe connection incl. exhaust pipe	2075
B	Total width incl. attachments	2990
B1	Width of boiler incl. insulation	2495
B2	Width of ash container return	1165
L	Total length incl. attachments	3595
L1	Length of stoker unit	1050
L2	Length of ash container return	630

Technical data

TDS 2	Unit	400	500
Nominal heat output	kW	399	499
Exhaust gas pipe diameter	mm	350	
Stoker screw diameter	mm	200	
Total dry weight incl. attachments	kg	8470	
Water content, heat exchanger	l	1040	
Maximum permissible operating temperature	°C	90	
Minimum return flow temperature	°C	65	
Maximum permissible operating pressure	bar	6	
Exhaust temperature (nominal/partial load)	°C	140/110	

Your KWB contact partner will be more than happy to discuss your individual options. Scan QR code and find your contact person:

